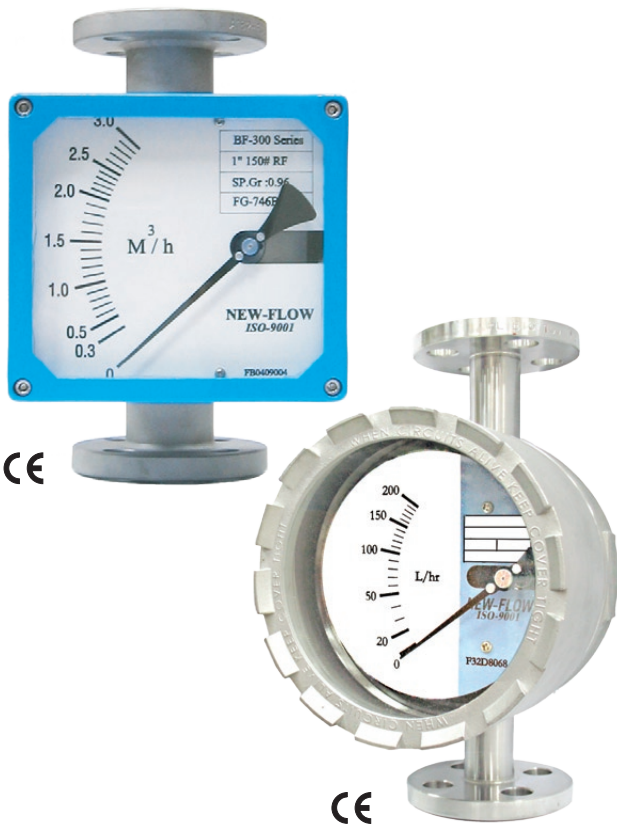
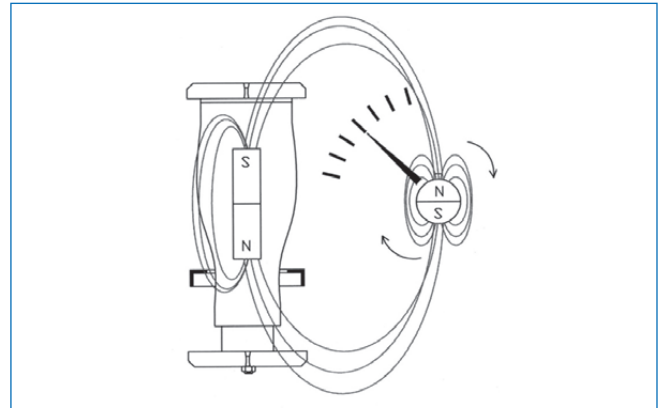


BF300

METAL TUBE FLOW METER BF300



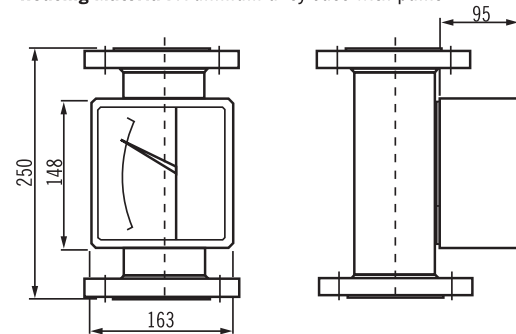
Principle



Dimensions-mm

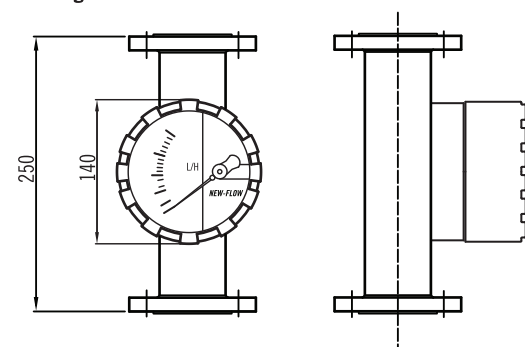
IP65

Case Type: (A-1) Rectangle Bolt Tight Type
Housing Material: Aluminum alloy case with paint



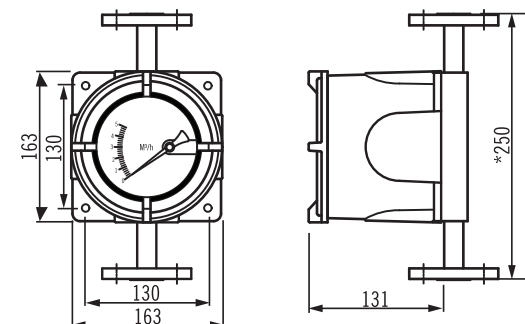
IP65

Case Type: (A-2) Round Screw Tight Type
Housing Material: Aluminum alloy
Case Type: (B) Round Screw Tight Type
Housing Material: SS316



Explosion Proof

Class I, Groups B,C & D; Class II, Groups E,F & G; NEMA 4,7,9



*Mounting length: 250mm standard
 Connection size bigger than 3", mounting length is 300mm.

Technical Data

BF300 for High flows of gas, liquid and steam

Material: Aluminum alloy case with paint; SS316 available

Body wetted parts: SS316, Others on request.

Indication via magnetic coupling (no sealed)

Scales calibrated: in l/h, m³/h, kg/h, %, etc.

Flow rates for:

- Water: 4 l/h up to 100,000 l/h (special ranges on request)
- Air: 0.1 Nm³/h up to 1200 Nm³/h (special ranges on request)

Connection types:

- flange type, trip clamp & sanitary (others on request)

Connection size: 1/2" ~ 5"

Mounting Length: 250mm Standard; Connection size bigger than 3", mounting length is 300mm; 300mm for Explosion proof

Temperature: -50°C to +200°C (300°C option)

Protection class: IP65 or Explosion Proof, CLASS I, GROUPS B, C & D; CLASS II, GROUPS E, F, & G; NEMA 4, 7, 9.

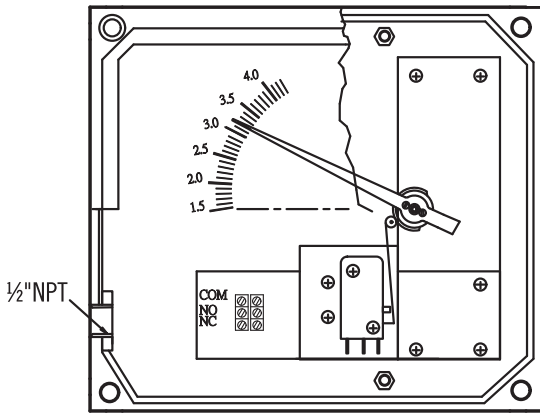
Accuracy: ±2% F.S(±1.6% F.S Option)

Max pressure: 40 kg/cm² (standard) (Option: up to 100 kg/cm²)

Option: Switch available (Micro switch 5A/250VAC, 2A/30VDC); Adjustable reed alarm switch available (form A bistable type, N.O. type); Adjustable inductive alarm switch available; 4~20mA 2-wires analog output available

Alarm / Analog output

BF-300/GS-M (Micro Switch)



Adjustable Micro Switch, Series BF300/GS-M

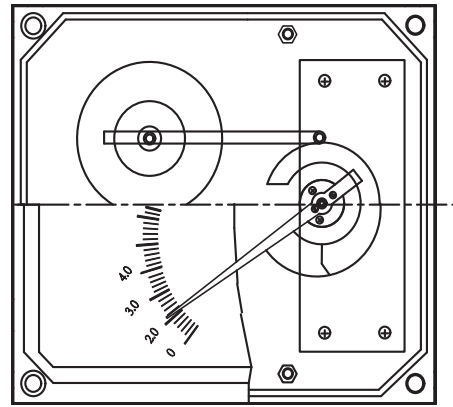
1 adjustable alarm contact

Load: 5A/250VAC, 2A/30VDC

Temperature: -25°C ~ +100°C (AMB)

Hysteresis: ±10% F.S (Dead Band)

BF-300/GT (Analog Output)



Electric Transmitter BF-300/GT

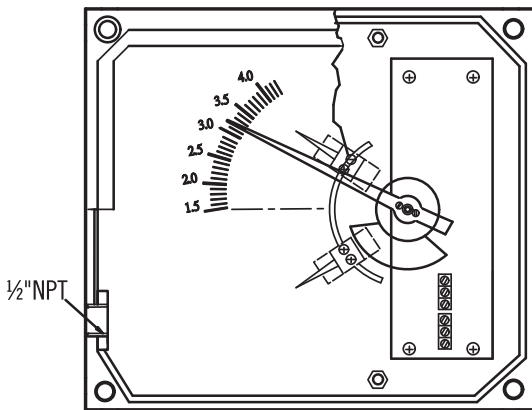
Analog output available: 4~20 mA (2 wire)

No Alarm Switch Available

Power Supplier: 24Vdc

Temperature: +25°C ~ +100°C (AMB)

BF-300/GS-C (Inductive Switch)



Adjustable inductive alarm switch

Hysteresis: ±1% F.S (Dead Band)

Inductive sensors slotted type:

3.5mm slot switch

DC. voltage 2 wire's to DIN19234 (NAMUR) for use in hazardous areas.

– Power supply: 8 Vdc (Ri.approx. 1kΩ)

– Current consumption: Active face uncovered 3mA
Active face covered 1mA

– Ambient temp: -25°C ~ +100°C

Isolated barriers output relay for inductive sensor:

– Rail mounting

– Control circuit EEx ia IIC

– EMC acc to NAMUR NE21

– Contact loading 253 VAC 2A SPDT 40 VDC 2A

1 adjustable alarm

Contact setting point should be within 10% to 100% of F.S

For 24VDC: KDF2-SR2-Ex1.W

115VAC: KFA5-SR2-Ex1.W

230VAC: KFA6-SR2-Ex1.W

2 adjustable alarm

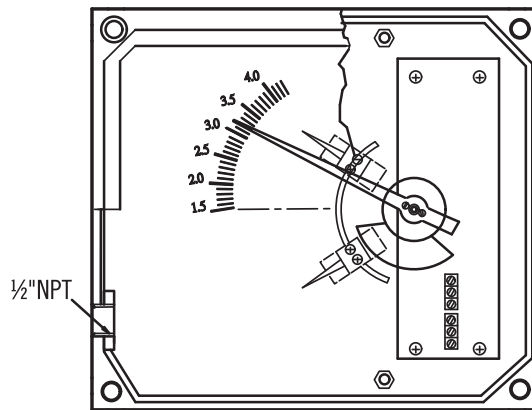
The second setting point should be a gap 65% from first setting point.

For 24VDC: KFD2-SR2-Ex2.W

115VAC: KFA5-SR2-Ex2.W

230VAC: KFA6-SR2-Ex2.W

BF-300/GS-R (Reed Switch)



Alarm Switch:

one or two setting points, form A bistable type (N.O. type)

Hysteresis:

±10% F.S (Dead Band)

Switch Rating:

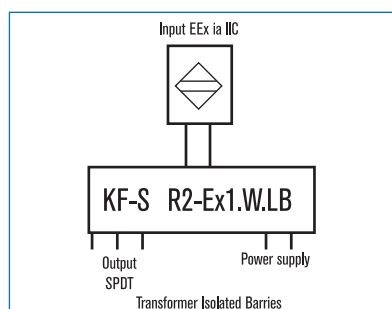
AC 125V 0.5A / DC 100V 10W / Max. DC 250V < 1mA

1 adjustable alarm

Contact setting point should be within 10% to 100% of F.S.

2 adjustable alarm

The second setting point should be a gap 40% from first setting point.



Standard Scales

Tube	L/H 20°C Water	NM ³ /H Air 20°C 1.013bar	PmmWater	Connection	Accuracy (NOTE 1.)	Remark
BF3001	4 ~ 30	0.1 ~ 1	≤750	1/2"	±5% F.S	Unsuitable for transmitter GT type.
BF3002	4 ~ 40	0.13 ~ 1.3	≤750	1/2"	±5% F.S	Unsuitable for transmitter GT type.
BF3003	5.5 ~ 55	0.17 ~ 1.7	≤750	1/2"	±5% F.S	Unsuitable for transmiiter GT type.
BF3004	8 ~ 80	0.2 ~ 2	≤750	1/2"	±2% F.S	
BF3005	16 ~ 160	0.5 ~ 5	≤750	1/2"	±2% F.S	
BF3006	18 ~ 180	0.6 ~ 6	≤750	1/2"	±2% F.S	
BF3007	30 ~ 300	1 ~ 10	≤750	1/2"	±2% F.S	
BF3008	50 ~ 500	1.5 ~ 15	≤750	1/2"	±2% F.S	
BF3009	60 ~ 600	1.8 ~ 18	≤750	1/2"	±2% F.S	
BF3010	70 ~ 700	2 ~ 20	≤750	1/2"	±2% F.S	
BF3011	100 ~ 1000	3 ~ 30	≤750	3/4"	±2% F.S	
BF3012	120 ~ 1200	4 ~ 40	≤750	1"	±2% F.S	
BF3013	160 ~ 1600	5 ~ 50	≤700	1"	±2% F.S	
BF3014	200 ~ 2000	6 ~ 60	≤700	1"	±2% F.S	
BF3015	240 ~ 2400	7 ~ 70	≤700	1"	±2% F.S	
BF3016	280 ~ 2800	8.5 ~ 85	≤700	1"	±2% F.S	
BF3017	320 ~ 3200	9 ~ 90	≤700	1"	±2% F.S	
BF3018	350 ~ 3500	10 ~ 100	≤700	1"	±2% F.S	
BF3019	500 ~ 5000	14 ~ 140	≤650	1½"	±2% F.S	
BF3020	600 ~ 6000	15 ~ 150	≤650	1½"	±2% F.S	
BF3021	700 ~ 7000	20 ~ 200	≤650	1½"	±2% F.S	
BF3022	800 ~ 8000	24 ~ 240	≤650	1½"	±2% F.S	
BF3023	1000 ~ 10000	30 ~ 300	≤650	2"	±2% F.S	
BF3024	1200 ~ 12000	35 ~ 350	≤650	2"	±2% F.S	
BF3025	1400 ~ 14000	40 ~ 400	≤650	2"	±2% F.S	
BF3026	1500 ~ 15000	45 ~ 450	≤1000	2"	±2% F.S	
BF3027	1800 ~ 18000	60 ~ 600	≤800	2½"	±2% F.S	
BF3028	2000 ~ 20000	75 ~ 750	≤800	2½"	±2% F.S	
BF3029	2300 ~ 23000	90 ~ 900	≤850	3"	±2% F.S	
BF3030	2500 ~ 25000	120 ~ 1200	≤1000	3"	±2% F.S	
BF3031	2800 ~ 28000	-----	≤1100	3"	±2% F.S	
BF3032	3000 ~ 30000	-----	≤1200	3"	±2% F.S	
BF3033	3500 ~ 35000	-----	≤1000	4"	±2% F.S	
BF3034	4000 ~ 40000	-----	≤1000	4"	±2% F.S	
BF3035	5000 ~ 50000	-----	≤1200	4"	±2% F.S	
BF3036	6000 ~ 60000	-----	≤1500	4"	±2% F.S	
BF3037	10000 ~ 100000	-----	≤2500	5"	±2% F.S	

NOTE.

- The accuracy ±5% F.S for tube BF3001~BF3003.
The accuracy ±2% F.S for tube BF3004~BF3037 and option ±1.6% F.S on request.
- Performance Technical Data are effective with date of issue and are subject to change without prior notice.

Ordering Information

BF300	Code	Type	Code	Connection size	
	G	Indicating only	2B	1/2" BSP (Female)	
	GS	Indicating + switch	2N	1/2" NPT (Female)	
	GT	Indicating + 4~20mA (no alarm switch available)	6B	3/4" BSP (Female)	
		Code Alarm	6N	3/4" NPT (Female)	
	0	Without alarm switch	10B	1" BSP (Female)	
	C1	One inductive alarm switch	10N	1" NPT (Female)	
	C2	Two inductive alarm switches	4F	1/2" Flange	
	M1	One micro switch	6F	3/4" Flange	
	R1	One reed switch	10F	1" Flange	
	R2	Two reed switches	12F	1 1/2" Flange	
		Code Housing protection / Case type / Material	20F	2" Flange	
	A1	IP65 / Rectangle bolt tight type / Aluminum alloy	22F	2 1/2" Flange	
	A2	IP65 / Round screw tight type / Aluminum alloy	30F	3" Flange	
	B	IP65 / Round screw tight type / SS316	40F	4" Flange	
	C	Explosion proof / Aluminum alloy Class I, Groups B, C & D; Class II, Groups E, F & G; NEMA 4,7,9	50F	5" Flange	
		Code Body & wetted parts		Code Transmitter Protection	
	A	SS316, standard		G	IP65 (General type)
	B	SS316L		ix.	Intrinsically Safe (EExiaIICT6), IP65
	0	Option		0	Without transmitter
		Code Float material			Code Fluid
	A	SS316		G	Gas
	B	SS316L		O	Oil
	0	Option		L	Liquid
		Code Connection rating		S	Steam
	0	Thread connection			Code Range
	5	JIS 5K		S	Standard range
	10	JIS 10K			Please directly fill out the flow range in the order code.
	20	JIS 20K			
	15	ANSI 150#			
	30	ANSI 300#			
	60	ANSI 600#			
	90	ANSI 900#			
	T	Other: _____			

BF300 [] [] [] [] [] [] [] [] [] [] + [] [] [] [] [] [] [] [] Complete ordering code

NOTE:
 1. Custom-made flow range and flange size upon request.
 2. Please fill in the ordering information and service condition, and fax this sheet along with your inquiry to 886-7-8225588.

Special instruction, if any:

Service Condition:
 Fluid name: _____
 Sp. Gr. (density): _____
 Viscosity: _____
 Press.: _____
 Temp.: _____
 Full scale: _____

WWW.NEW-FLOW.COM • TEL: 886-7-8135500 • FAX: 886-7-8225588 • Email: info@new-flow.com