

CAPACITIVE LEVEL SWITCH

CPLS1000

Proof Housing: IP65
Explosion Proof: EExd IIC-T6
No Moving Parts
Easy Installation

The New-Flow CPLS1000 is used for measuring process vessel at the specific one point for using level alarms or for interlocking level control system.

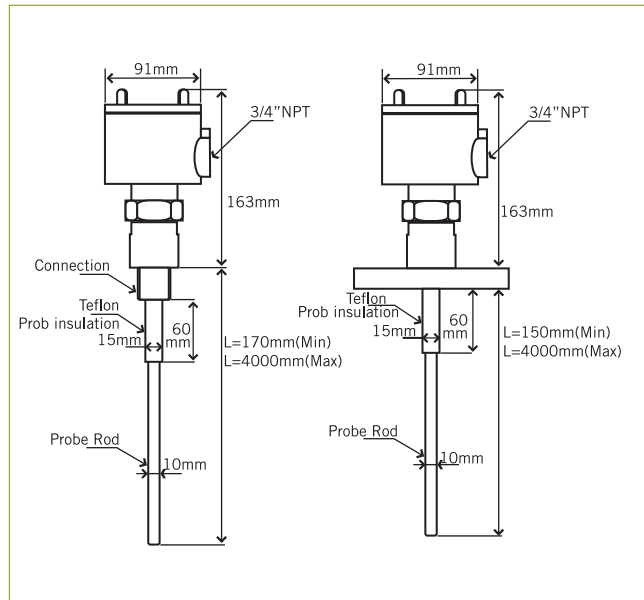
The New-Flow CPLS1000 has the ability to detect and measure both conductive and non-conductive media. CPLS1000 can be used in many industries for a wide range of applications such as water, oils, and a variety of corrosive materials.

Technical Data

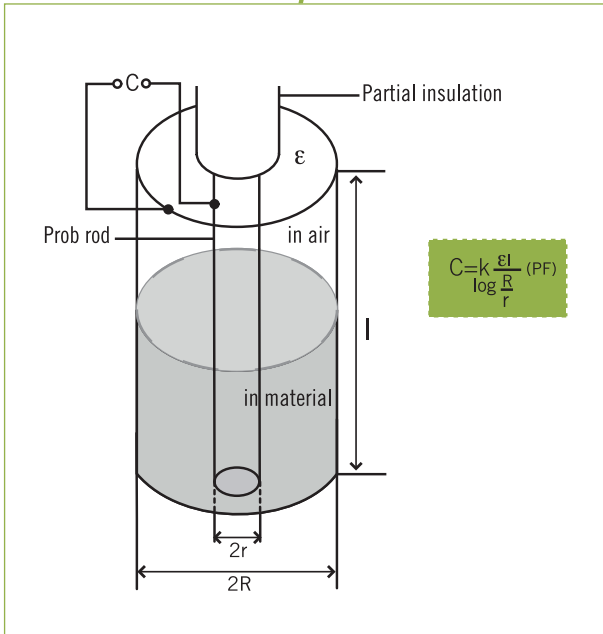
- Housing:** Aluminum Alloy, IP65, Explosion proof
- Probe Insulation Material:** PTFE
- Rode Probe:** SS316, Hastelloy C276, Ni-200, PFA lining
- Working Temperature Limit:** -20°C ~ +120°C
- Working Pressure Limit:** 20 Kg/cm²
- Process Connection:** 1"NPT of thread, or Flange
- Flange Connection:** 1"~ 3", or consult to manufacturer
- Operating Sensibility:** 4 pf (adjustable)
- Power Supply:** 110VAC, 220VAC, 24VDC
- Contact Form:** SPDT
- Contact Rating:** NO/NC 10A/5A 120VAC
NO/NC 7A/5A 240VAC



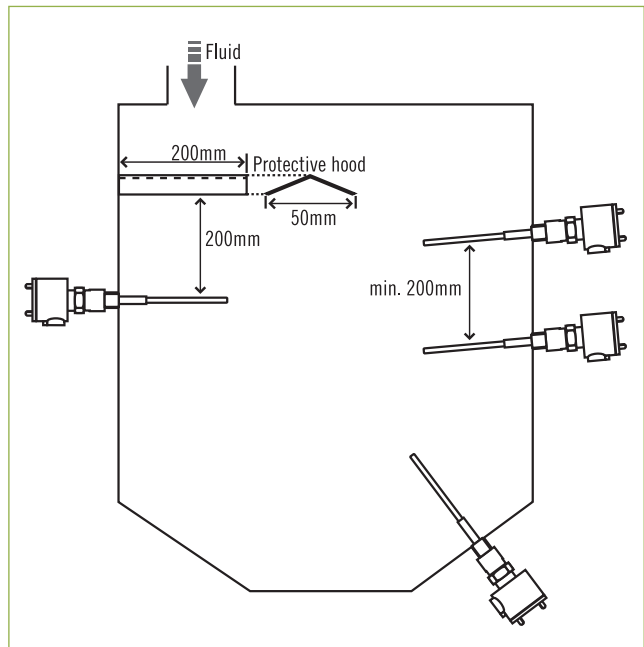
Dimensions



Measurement Principle



Installation Instruction



Ordering Information

CPLS1000	Code	Style							
	S	Standard (Max. Temp. 120°C)							
		Code	Connection Size						
			(1) 1" (2) 1½" (3) 2" (4) 3" (5) option						
		Code	Connect Rating						
			Thread (A) NPT (B) BSP						
			Flange (C) JIS 10K (D) JIS 20K (E) ANSI 150# (F) ANSI 300# (G) PN16 (H) PN25 (O) Option						
		Code	Connection material						
		A	SS316, standard						
		B	Hastelloy C276						
		C	Ni-200						
		D	other						
		Code	Conduit Size						
		1	¾" NPT						
		Code	PFA lining						
		Y	With PFA lining						
		N	Without PFA lining						
		Code	Insertion length						
			Please fill out the requested length in the ordering code.						
		Code	Power supply						
		A	110VAC						
		B	220VAC						
		C	24VDC						
CPLS1000									Complete Ordering Code

WWW.NEW-FLOW.COM • TEL: 886-7-8135500 • FAX: 886-7-8225588 • Email: info@new-flow.com