

DIFFERENTIAL PRESSURE GAUGE

DPG4000

Combine With Switch Available
Weather Proof, Piston Type
Range Available: 0-1-14 kg/cm²

DPG4000 series consist of high and low pressure ports. Spring and diaphragm as well as magnet couple with pointer. Differential pressure indicated on dial due to ΔP pressure of high side and low side be made from magnet couple with pointer. It could combine with micro switch or reed switch for using in controller system.



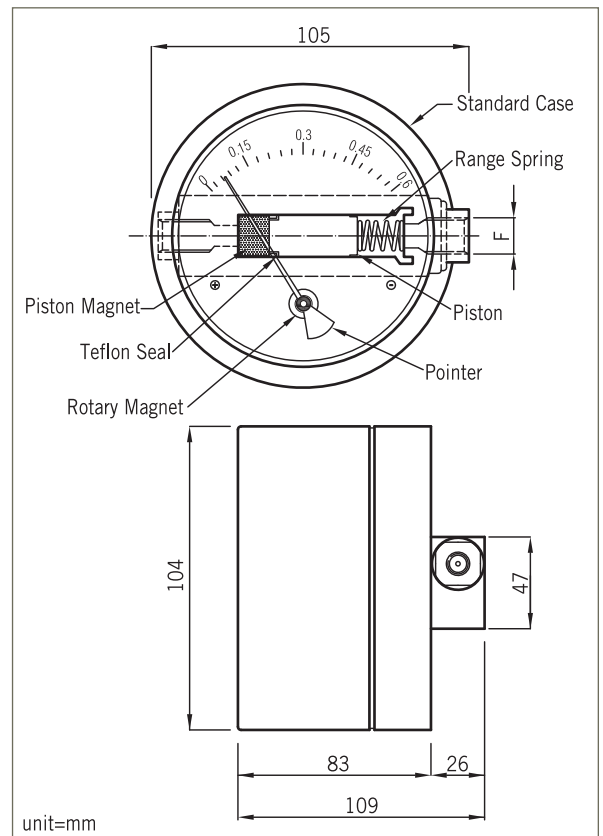
Technical Data

- Dial Size:** ø4"
- Accuracy:** ±2% F.S (on rising pressure)
- Switch Data:** One SPDT micro switch, 3amps 125/250VAC; others are on request
- Housing:** Die cast aluminum alloy with paint
- Electronic Connection:** Standard ½"NPT female; ¾"NPT female available
- Pressure Element:** Wetted parts all in SS316
- Process Connection:** ¼"NPT female; others with adaptor on request
- Working Pressure:** 200 kg/cm²
(Both of High & Low side must be pressured on line at the same time.)
- Working Temperature:** max. 80°C

Range Selection Table

Code	Adjustable Range		Code	Adjustable Range	
	psi	kg/cm ²		psi	kg/cm ²
09R	0~9	0~0.6	140R	0~140	0~10
11R	0~11	0~0.75	200R	0~200	0~14
14R	0~14	0~1			
30R	0~30	0~2			
40R	0~40	0~2.5			
60R	0~60	0~4			
100R	0~100	0~7			

Dimensions



Ordering Information

DPG4000	Code	Range									
		09R 0~9psi	11R 0~11psi	14R 0~14psi	30R 0~30psi	40R 0~40psi					
		60R 0~60psi	100R 0~100psi	140R 0~140psi	200R 0~200psi						
	Code	Wetted Parts Material									
	A	SS316									
	Code	Process Connection									
		(1) ¼"NPT Female (2) Others (With adaptor)									
	Code	Electronic Connection									
		(E) ¾" NPT Female (F) ½" NPT Female, standard									
	Code	Control Form									
	1	One SPDT	2	4~20 mA							
DPG4000											
Complete Ordering Code											