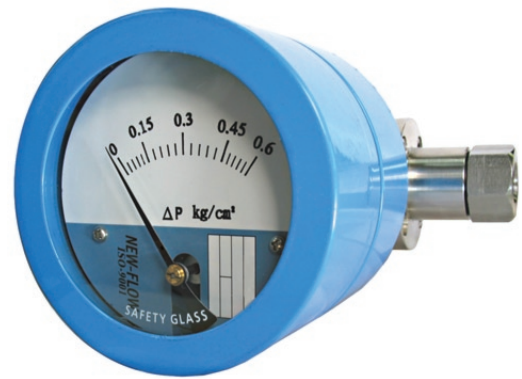


DIFFERENTIAL PRESSURE GAUGE DPG5000

Combine With Switch Available
Weather Proof, Diaphragm Type
Range Available: 0-1-7 kg/cm² (0-15-100 PSI)

DPG5000 series consist of high and low pressure ports. Spring and diaphragm as well as magnet couple with pointer. Differential pressure indicated on dial due to ΔP pressure of high side and low side be made from magnet couple with pointer. It could combine with micro switch or reed switch for using in controller system.



Technical Data

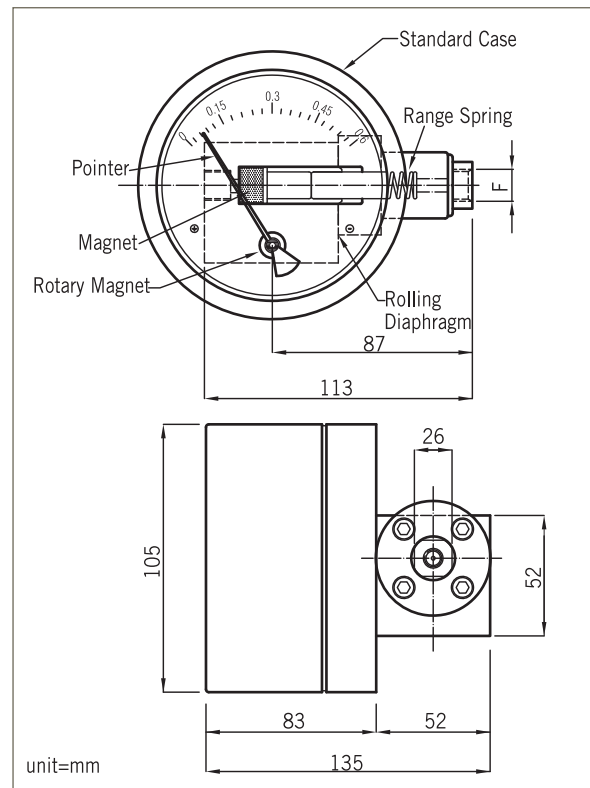
- Dial Size:** ø4", ø6" available
- Accuracy:** ±2% F.S (on rising pressure)
- Switch Data:** One SPDT micro switch, 3amps 125/250VAC; others are on request
- Housing:** Die cast aluminum alloy with paint and SS316 available
- Housing Protection:** IP65
- Electronic Connection:** Standard ½"NPT female; ¾"NPT female available
- Pressure Element:** Diaphragm- Viton; other parts all in SS316
- Process Connection:** ½" or ¼"NPT female available
- Working Pressure:** 200 kg/cm²
- (Both of High & Low side must be pressured on line at the same time.)
- Working Temperature:** max. 80°C

Range Selection Table

Code	Adjustable Range		Maximum Pressure Proof
04R	0~4 psi	0~0.25 kg/cm ²	5 psi
07R	0~7 psi	0~0.5 kg/cm ²	8 psi
09R	0~9 psi	0~0.6 kg/cm ²	10 psi
12R	0~12psi	0~0.8 kg/cm ²	13 psi
17R	0~17psi	0~1.2 kg/cm ²	19 psi
30R	0~30psi	0~2 kg/cm ²	33 psi
40R	0~40psi	0~2.5 kg/cm ²	44 psi
60R	0~60psi	0~4 kg/cm ²	66 psi
100R	0~100psi	0~7 kg/cm ²	110 psi

NOTE. If you need Flow Scale, please contact with factory.

Dimensions



Ordering Information

DPG5000	Code	Dial Size					
	A	ø4"	B	ø6"			
	Code	Range					
	04R	0~4 psi	09R	0~9 psi			
	07R	0~7 psi	12R	0~12 psi			
		Code	Wetted Parts Material				
	A	SS316					
		Code	Housing Material				
	1	Aluminum alloy with paint	2	SS316			
		Code	Process Connection				
		(1) ½" NPT Female (2) ¼" NPT Female					
		Code	Electronic Connection				
		(E) ¾" NPT Female (F) ½" NPT Female, standard (O) Without					
		Code	Control Form				
	1	One SPDT	2	4~20mA	0	Option	
DPG5000							Complete Ordering Code