

# DIFFERENTIAL PRESSURE GAUGE

## DPH SERIES

**Weather Proof, Piston Type**  
**Range Available: 0-1-14 kg/cm<sup>2</sup> (0-14-200PSI)**

DPH series consist of high and low pressure ports. Spring magnet couple with pointer. Differential pressure indicated on dial due to  $\Delta P$  pressure of high side and low side be made from magnet couple with pointer.



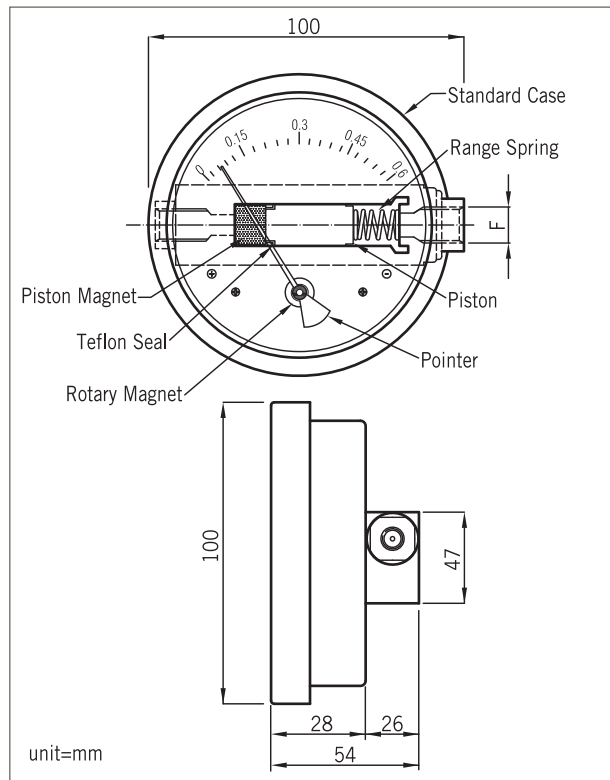
### Technical Data

- Dial Size:**  $\phi 4''$ ,  $\phi 6''$  available
- Accuracy:**  $\pm 2\%$  F.S (on rising pressure)
- Housing:** 304 stainless steel
- Pressure Element:** Wetted parts all in SS316
- Process Connection:**  $\frac{1}{4}''$  NPT(F); option with adaptor available
- Working Pressure:** 200 kg/cm<sup>2</sup>  
(Both of High & Low side must be pressured on line at the same time.)
- Working Temperature:** max. 80°C

### Range Selection Table

Code	Adjustable Range	
	psi	kg/cm <sup>2</sup>
09R	0~9	0~0.6
11R	0~11	0~0.75
14R	0~14	0~1
30R	0~30	0~2
40R	0~40	0~2.5
60R	0~60	0~4
100R	0~100	0~7
140R	0~140	0~10
200R	0~200	0~14

### Dimensions



### Ordering Information

DPH	Code	Range									
		<b>09R</b>	0~9 psi	<b>11R</b>	0~11 psi	<b>14R</b>	0~14 psi	<b>30R</b>	0~30 psi	<b>40R</b>	0~40 psi
		<b>60R</b>	0~60 psi	<b>100R</b>	0~100 psi	<b>140R</b>	0~140 psi	<b>200R</b>	0~200 psi		
		<b>Code</b>	<b>Wetted Parts Material</b>								
		A	SS316								
		<b>Code</b>	<b>Process Connection</b>								
		1	$\frac{1}{4}''$ NPT Female								
		2	Option (with adaptor)								
DPH				<b>Complete Ordering Code</b>							