

THREAD TYPE DIAPHRAGM SEAL

DT110

DT110 diaphragm seal is designed to be used in highly viscous process media such as pulp, paper, waste water treatment, and plastic/chemical process industries. DT110 is easy to assemble with pressure gauges, pressure switches, and pressure instruments.

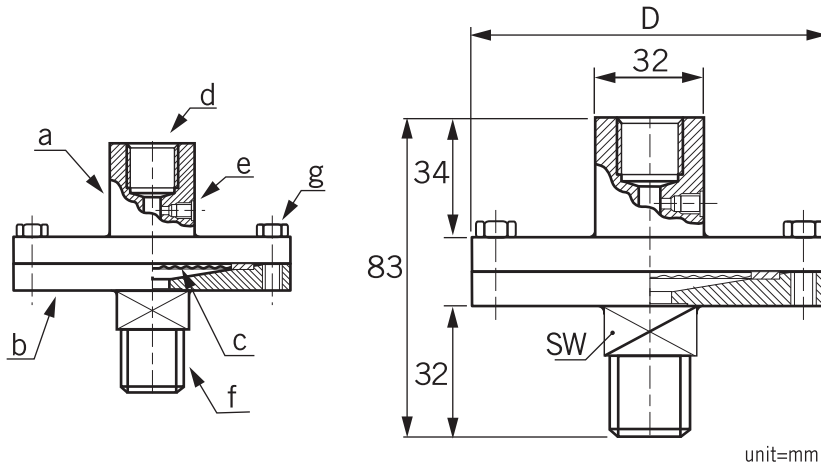
Technical Data

- Instrument connection:** female thread ¼" to ½" BSP or NPT
- Membrane size:** Ø45, Ø55, Ø75 available
- Process connection:** ¼" to ½" Thread BSP or NPT
- Temperature limited:** -40~+150°C cooling element or capillary line up to 350°C
- Pressure range limited:**
 Maximum up to 40 kg/cm²
 Minimum: -760 mmHg~0 (Ø75 Membrane)
 -1~1.5 kg/cm² (Ø55 Membrane)
 0~10 kg/cm² (Ø45 Membrane)
- Material:** Upper & Lower housing- SS316 (standard), others on request
- Membrane:** SS316L (standard); Options- Hastelloy C276, tantalum, and others on request.



Dimensions

Item	Description of Parts
a	Upper housing
b	Filling port
c	Membrane
d	Instrument connection
e	Filling port
f	Process connection
g	Screw bolt



Membrane size			
Ø	45	55	75
D	68.5	80	100

Ordering Information

DT110	Code	Instrument Connection (Female)
		(A) ¼" BSP (B) ¼" NPT (C) ⅜" BSP (D) ⅜" NPT (E) ½" BSP (F) ½" NPT
		Code Membrane size
		(A) Ø45 (B) Ø55 (C) Ø75
		Code Process connection (Male)
		(1) ¼" BSP (2) ¼" NPT (3) ⅜" BSP (4) ⅜" NPT (5) ½" BSP (6) ½" NPT (7) Option
		Code Thread
		(M) Male (F) Female
		Code Upper housing material
		(S) SS316(standard) (O) Option
		Code Lower housing material
		(S) SS316(standard) (O) Option
		Code Membrane material
		(1) SS316L (2) Hastelloy C276 (3) Tantalum (4) Option
DT110		Complete ordering code