

# FIELD MOUNTED DIGITAL DISPLAY

## D-1000 TYPE

### Explosion Proof

**CLASS I, GROUPS A, B, C & D,**

**CLASS II, GROUPS E, F & G**

**NEMA 4X**



### Technical Data

**Enclosure Housing:** Aluminum or 316SS

**LCD Display:** 5 digital (Only Positive digital)

**Input:** Linear 4 to 20mA

**Loop Resistance:** 500Ω

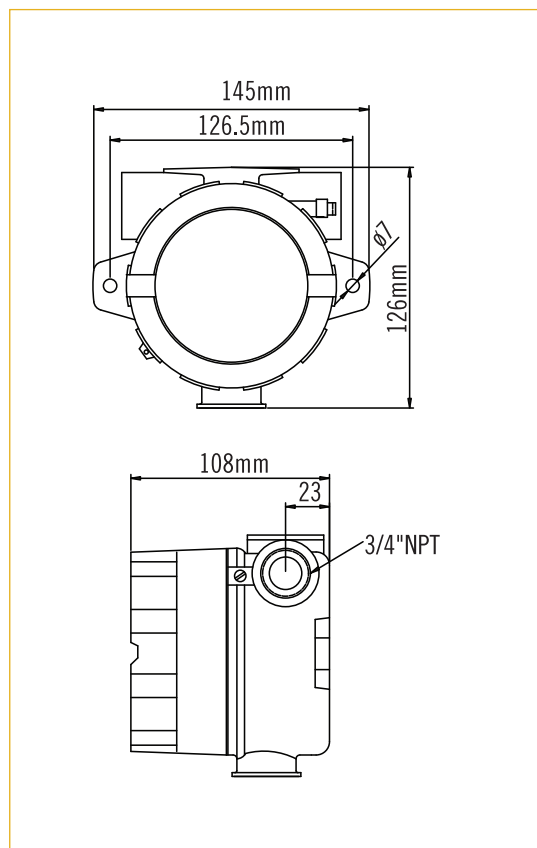
**Accuracy:** Analog (4~20mA): ±0.5% of span

**Ambient Temperature:** -40 to +85°C (-40 to 185°F)

**Power Supply:** 12 to 35 VDC

**Unit:** mA, A, mV, V, PH, °F, °C, PSI, Pa, Kpa, Mpa, mbar, bar, %, M, cm...available

### Dimensions



### Ordering Information

D-1000	Code	Enclosed Housing
↓	A	Aluminum
	S	316SS
↓	↓	
D-1000		Complete Ordering Code

### Wire Drawing

