

FLOW SIGHT GLASS GAUGE

FS SERIES

The flow meter sight glass gauge was designed with spring paddle to indicating flow rate for easy observation of flowing fluid from Left to Right or Right to Left direction.

Technical Data

Service: – Water treatment system

- Industrial liquid flow system
- Double window indication

Material: Body– SS316; Paddle– SS316; Spring– SS316; Guge– Tempered glass; Gasket– Teflon or Gore Tex; Flange– SS316, SS304 available

Max. Working Temperature: 80°C

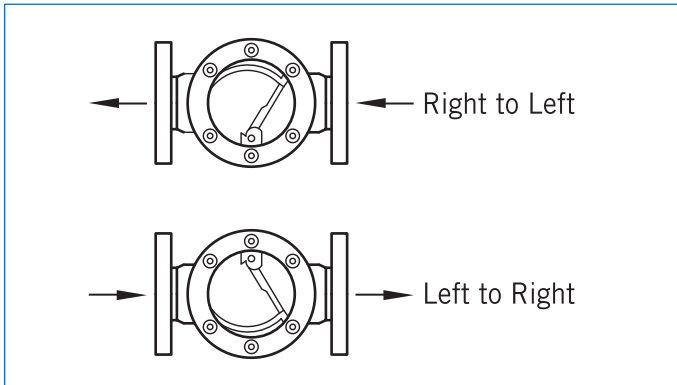
Max. Working Pressure: 10 kg/cm² at 25°C water

Connection Size: 2"

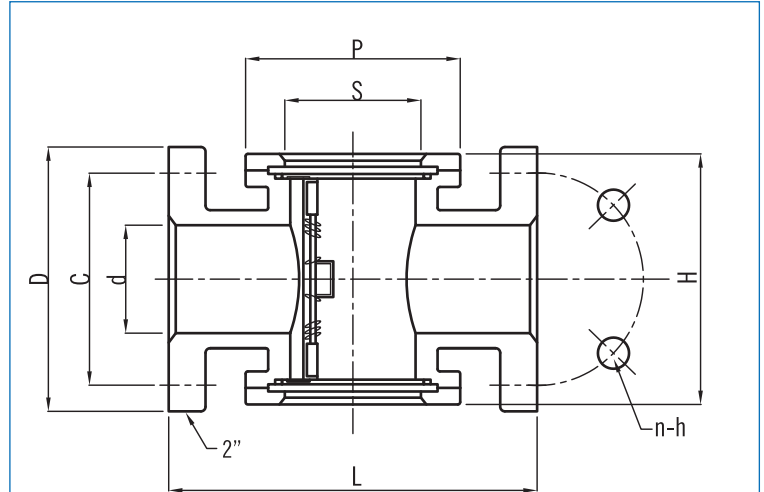
Connection Rating: JIS 10K, ANSI 150#, PN10 and PN16 available



Mounting Position



Dimensions



unit=mm

Size	Range (m ³ /h)	Dimensions							
		d	C	D	H	S	P	L	n-h
2"	2~10	48	120	155	170	102	149,5	220	19φ
	2~18	48	120	155	170	102	149,5	220	19φ

NOTE

1. Flange rating: ANSI 150#, PN10 and PN16 are available.
2. The Dimensions of C, D will be changed by flange rating.

Ordering Information

FS	Code	Body Material
	1	SS316 (standard)
		Code Connection Size
	1	2"
		Code Flange Rating
	1	JIS 10K
	2	ANSI 150#
	3	PN10
	4	PN16
		Code Flange Material
	1	SS316
	2	SS304
		Code Flow Range
	A	2~10 M ³ /H
	B	2~18 M ³ /H
		Code Flow Direction
	R	RL
	L	LR

FS