

HORIZONTAL MAGNETIC LEVEL SWITCH

LR SERIES

The LR Series of float-operated level switch. Suitable for control the liquid level with horizontal mounting. The float extension arm moves a magnet which actuated reed switch offer an open or dosed contact upon request by user.

Technical Data

General Purpose, IP65
Explosion Proof – EExdIICT6
Chemical Duty
Sp. Gr.: Minimum 0.6
Screwed Mounting
Connection: 1/2", 3/4" or 1" NPT male available
Max. Pressure: 10 kg/cm²
Max. Temperature: -10~120°C
Float Material: SS316
Wetted Part Material: SS316



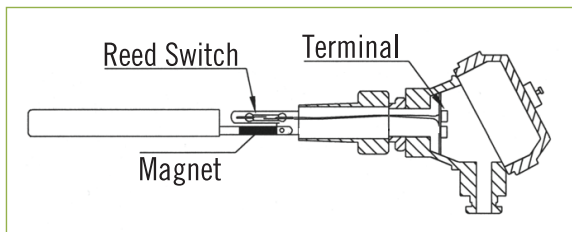
LR-201W



LR-201X



LR-201



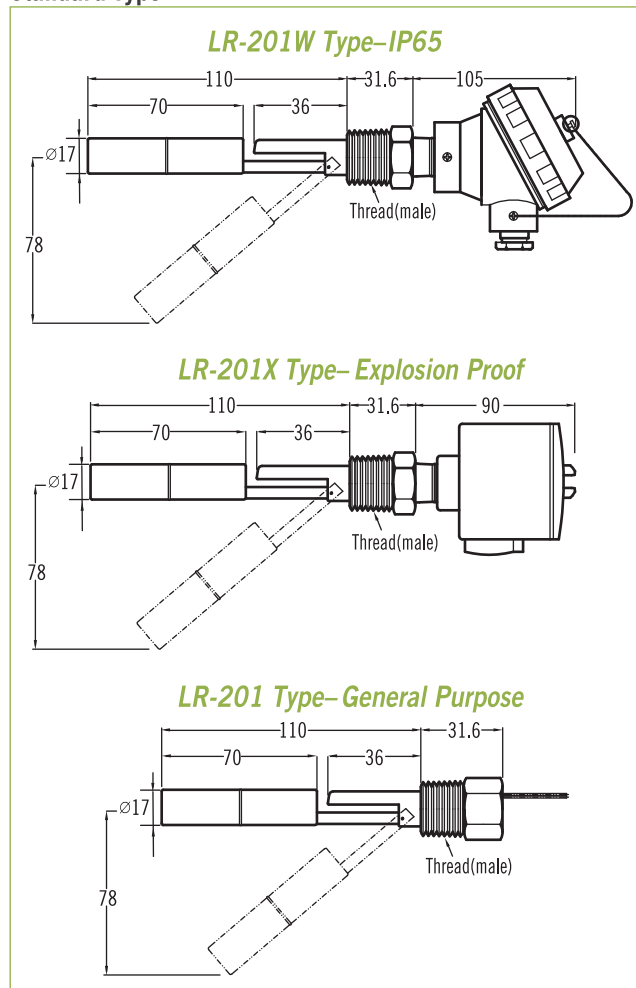
Reed Switch Type

Contact Form	A (SPST)	C (SPDT)
Switching Capacity Max.	40 W/VA	60 W/VA
Switching Voltage Max.	230V AC/DC	230V AC/DC
Switching Current Max.	2A	1A
Carrying Current Max.	3A	2A

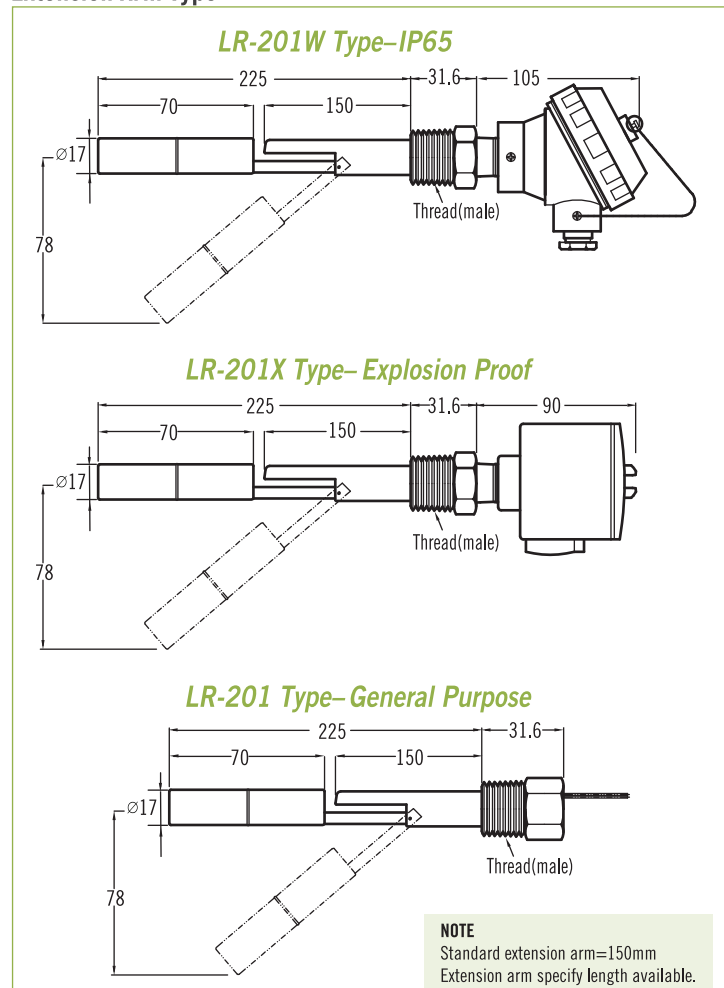
*Special rate available on request.

Dimension-mm

Standard Type

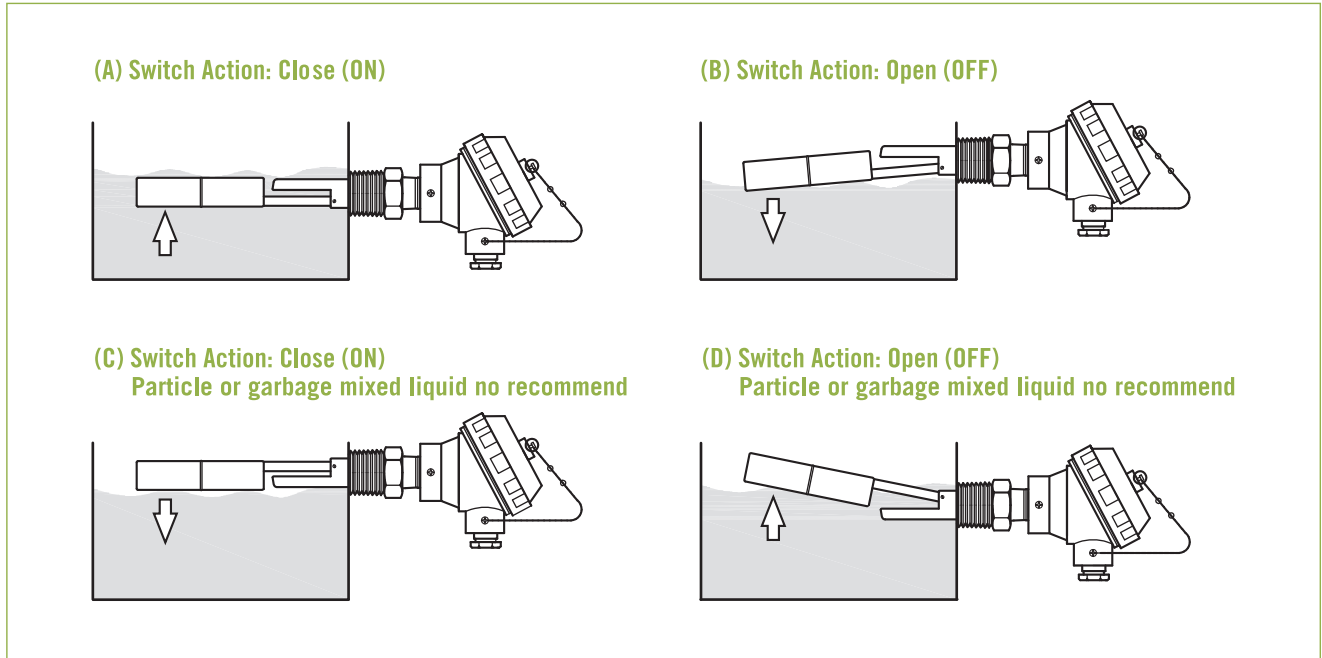


Extension Arm Type



NOTE
 Standard extension arm=150mm
 Extension arm specify length available.

Float Level Switch Action Mode



Ordering Information

LR	Code	Type
	S	Standard Type
		E Extension Arm Type
		Code Model
		201W (IP65) 201X (Explosion Proof EExdIICT6) 201 (General Purpose)
		Code Contact Form
		(1) A Type (2) C Type
		Code Float Material
		S SS316
		Code Connection Size
		(1) 1/2"NPT(M) (2) 3/4"NPT(M) (3) 1"NPT(M)
		Code Conduit Size
		(1) 1/2"NPT(F) (2) 3/4"NPT(F)
		Complete Ordering Code