

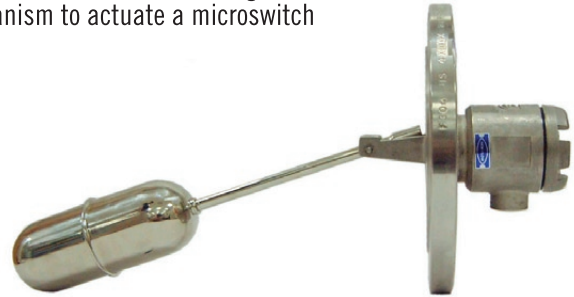
HORIZONTAL MAGNETIC LEVEL SWITCH

LT204 Flange Type

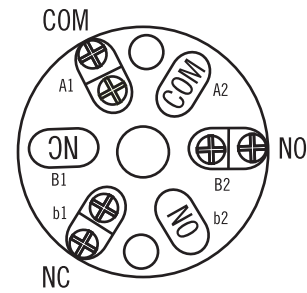
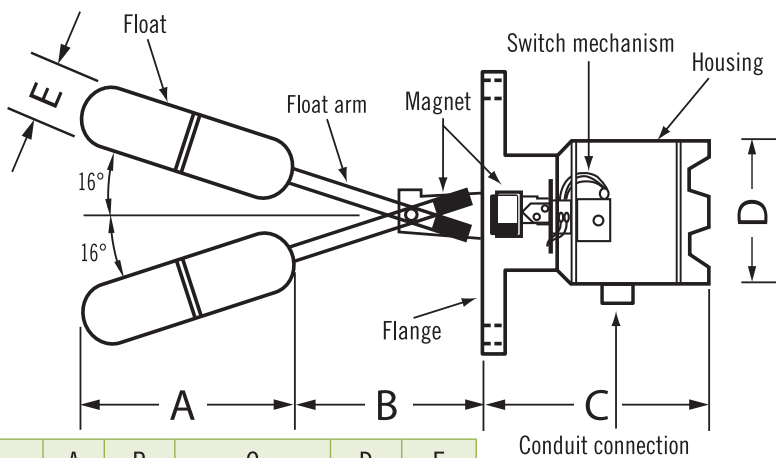
LT204 float-operated level switches are suitable for controlling liquid level at horizontal mounting. The float equipped with an extended arm moves a couple magnetic mechanism to actuate a microswitch to offer an ON-OFF contact for application.

Technical Data

- Enclosure housing:** Weather proof IP65
- Process connection:** 1½"~4" Flange type
- Flange rating:** JIS, ANSI, DIN available
- Material:** Wetted parts 316 stainless steel
- Temperature limits:** -20°C to +150°C
- Pressure limits:** 3.0 MPa (30 kg/cm²), option: up to 4.5 MPa
- Switch function:** Micro switch 1 x SPDT; 2 x SPDT option
- Switch rating:** 3A/250VAC, 3A/30VDC, 0.4A/125VDC
- Conduit connection:** ½"NPT female, option
- Float working specific gravity:** ≥0.7 (option: less than 0.7 available on request)



Dimensions



Wire Drawing

	A	B	C	D	E
mm	150	92	102 Approx.	64	40

NOTE.

1. Special dimensions on request.
2. Extension length for B is available.

Ordering Information

LT204	Code	Process Connection Size
		(1) 1½" (2) 2" (3) 3" (4) 4"
		Code Process Connection Rating
		(A) JIS10K (B) JIS20K (C) ANSI 150 (D) ANSI 300 (E) PN10 (F) PN25 (G) option
		Code Flange Material
		(1) SS316 (2) SS304 (3) Option
		Code Switch Function- Micro Switch
	1	One switch, SPDT x 1
	2	Two switch, SPDT x 2
LT204		Complete Ordering Code