

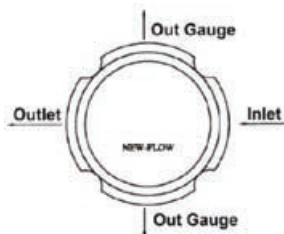
PRESSURE REDUCING REGULATOR

PRU400

Technical Data

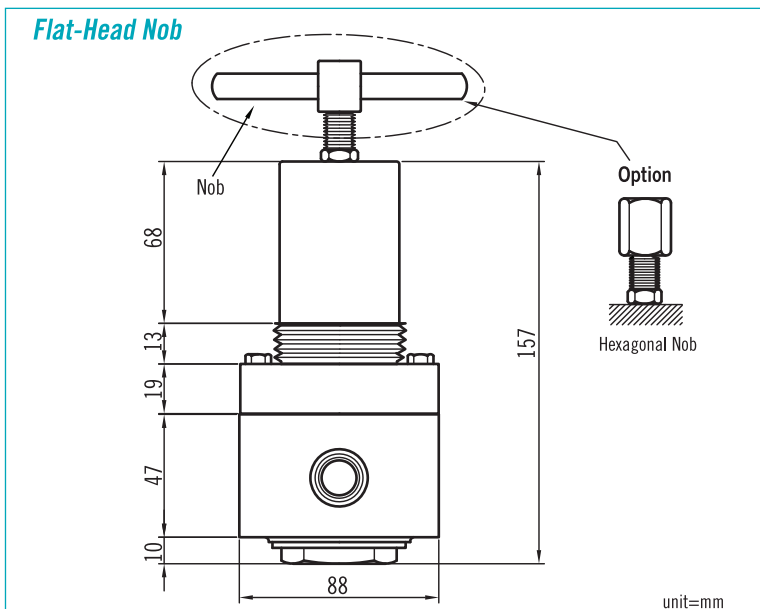
For using gases and liquids
 Inlet pressure: 1.5 Mpa maximum
 Adjustable outlet pressure in ranges: 0.05~0.5 Mpa (0.5~5 kg/cm²)
 Operating temperature: -5 to 60°C
 Diaphragm materials: Viton with PTFE lining
 Body material: SS316
 Seat material: PTFE
 Handle wheel material: SS
 Effective flow area: 13 mm
 All ports are standard: 3/4" & 1"NPT available
 CV: 2.5

Standard Port Configuration



Dimensions

Flat-Head Nob



Ordering Information

PRU400	Code	Body & Nob material			
	1	316 stainless steel			
		Code	Nob Type		
		A	Flat-Head	B	Hexagonal
		Code	Max. inlet pressure		
		1	1.5 Mpa (15 kg/cm ²)		
	Code	Outlet pressure range			
	1	0.05~0.5 Mpa (0.5~5 kg/cm ²)			
PRU400					Complete Ordering Code