

PS2100W

# PRESSURE SWITCH NEMA 4, 4X, IP65

## PS2100W

**Proof Pressure to 1000psi**  
**Adjustable Ranges: 2~100psi**  
**Temperature: -20 to 205°C**

The New-Flow PS2100W, a water proof pressure switch, is designed to be used in control systems. PS2100W has high set point repeatability and narrow dead band features. A variety of range selections are available upon request. Easily adjusted to the set point, and no special tools needed!

### Technical Data

**Switch Data:** one SPDT & two SPDT Microswitch, 15amps 125/250VAC, Gold Contact Microswitch 1A 125/250VAC

**Housing:** die cast aluminum alloy with paint

**Conduit Connection:** 3/4" or 1/2" NPT Female

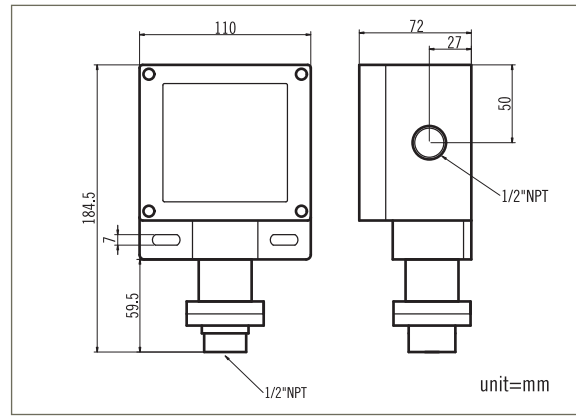
**Pressure Element:** welded type diaphragm

**Process Materials:** wetted parts are all in SS316

**Process Connection:** 1/2" or 1/4" NPT Female



### Dimensions



WWW.NEW-FLOW.COM • TEL: 886-7-8135500 • FAX: 886-7-8225588 • Email: info@new-flow.com

### Range Selection Table

Code	Adjustable Range	Dead Band	Maximum Pressure Proof
04R	2~12psi	0.2~0.4	1000psi
10R	2~16psi	0.2~0.5	1000psi
20R	2~20psi	0.3~0.6	1000psi
30R	3~28psi	0.3~0.8	1000psi
40R	7~100psi	0.7~2.0	1000psi

### Ordering Information

PS2100W	Code	Range	Wetted Material		Process Connection		Conduit Connection		Switch Form	
	04R	2~12psi	10R	2~16psi	20R	2~20psi	30R	3~28psi	40R	7~100psi
	A		SS316		(1) 1/2" NPT Female (2) 1/4" NPT Female		(E) 3/4" NPT Female (F) 1/2" NPT Female, standard		1	One SPDT
									2	Two SPDT (one setting point)
									3	Gold Contact (SPDT)
PS2100W										Complete Ordering Code