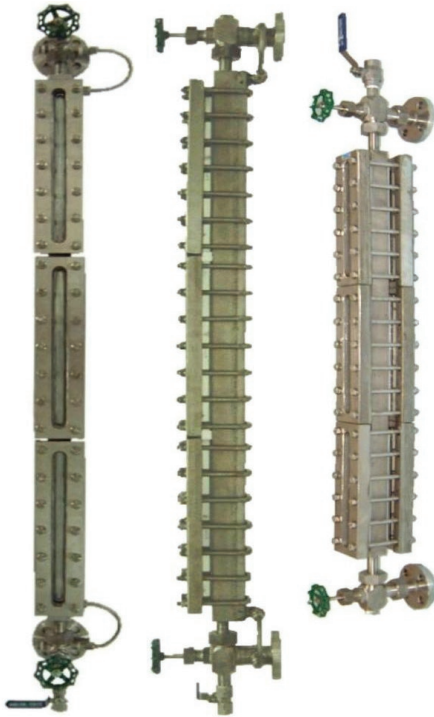


# LIQUID LEVEL GAUGE

R Series – Reflex Type T Series – Transparent Type B Series – Large Chamber Type



NEW-FLOW glass level gauge are designed in wide range including R series, T series and B series. Which meet various pressure, temperature for application by customer.

### Feature

- High Quality
- Low Cost
- Material: Carbon steel, SS304, SS316 are available
- The special materials are available by requested

### Valve Type



Standard Type Valve

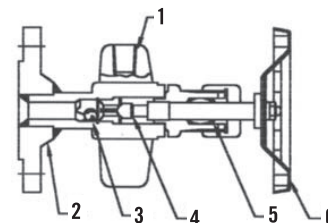
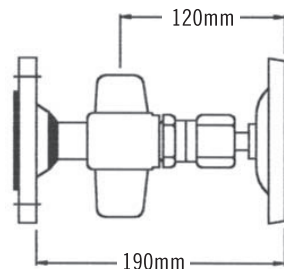


Jacket Type Valve



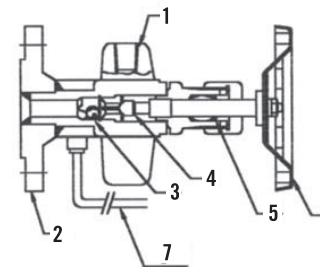
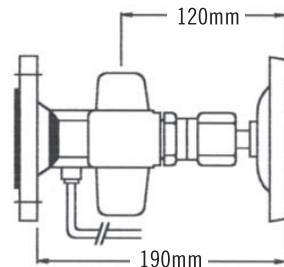
Offset Type Valve

### Standard Type



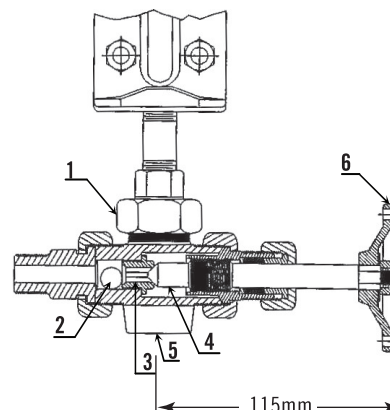
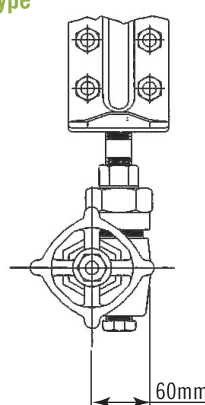
- (1) Body
- (2) Flange
- (3) Ball
- (4) Plug stem
- (5) Packing
- (6) Handle wheel

### Jacket Type Valve



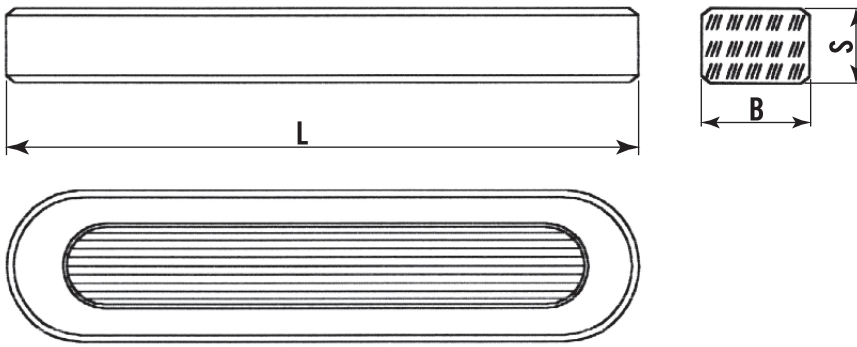
- (1) Body
- (2) Flange
- (3) Ball
- (4) Plug stem
- (5) Packing
- (6) Handle wheel
- (7) Jacket tube

### Offset Valve Type



- (1) Unit-Nut
- (2) Ball Check
- (3) Seat
- (4) Stem
- (5) 1/2" NPT
- (6) Handle Wheel

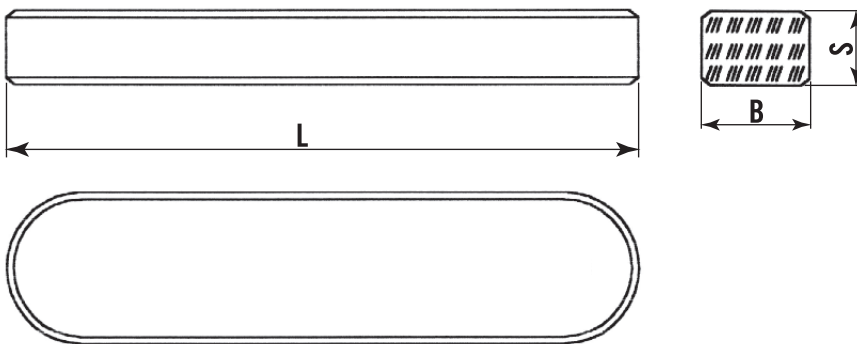
**Glass for Reflex type**



**Dimensions-mm**

Size	L	B	S
1	190	34	17
2	220	34	17
3	250	34	17
4	280	34	17
5	300	34	17
6	320	34	17
7	340	34	17
8	400	34	17

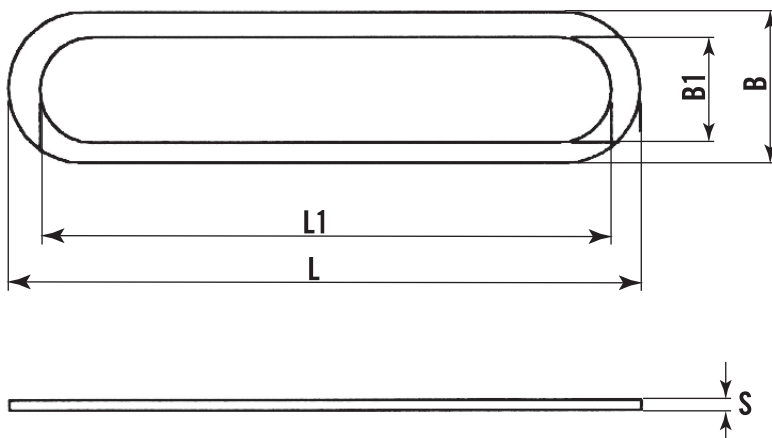
**Glass for Transparent type**



**Dimensions-mm**

Size	L	B	S
1	190	34	17
2	220	34	17
3	250	34	17
4	280	34	17
5	300	34	17
6	320	34	17
7	340	34	17
8	400	34	17

**Sealing Gasket**

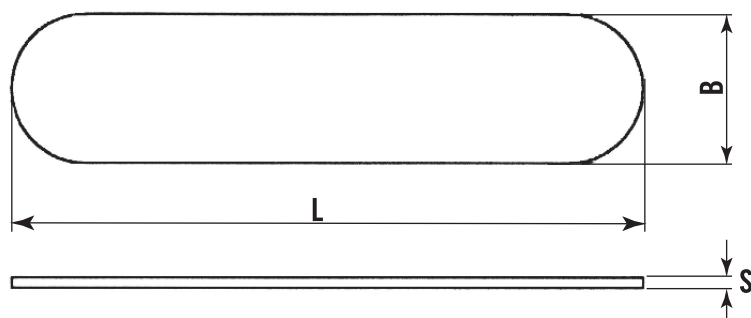


**Dimensions-mm**

Size	L	B	S
1	190	34	17
2	220	34	17
3	250	34	17
4	280	34	17
5	300	34	17
6	320	34	17
7	340	34	17
8	400	34	17

S=1.3~1.8

**Mica Shields**

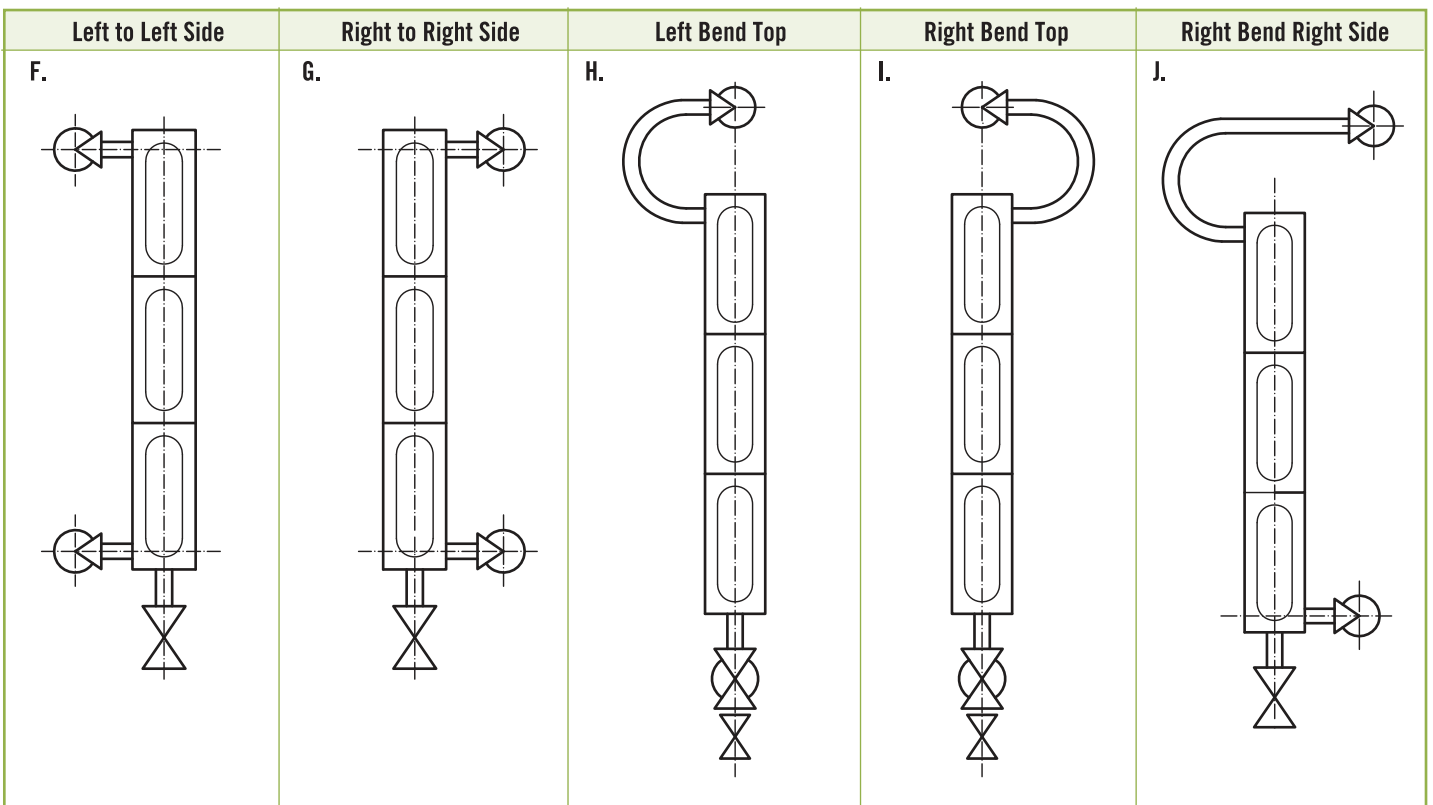
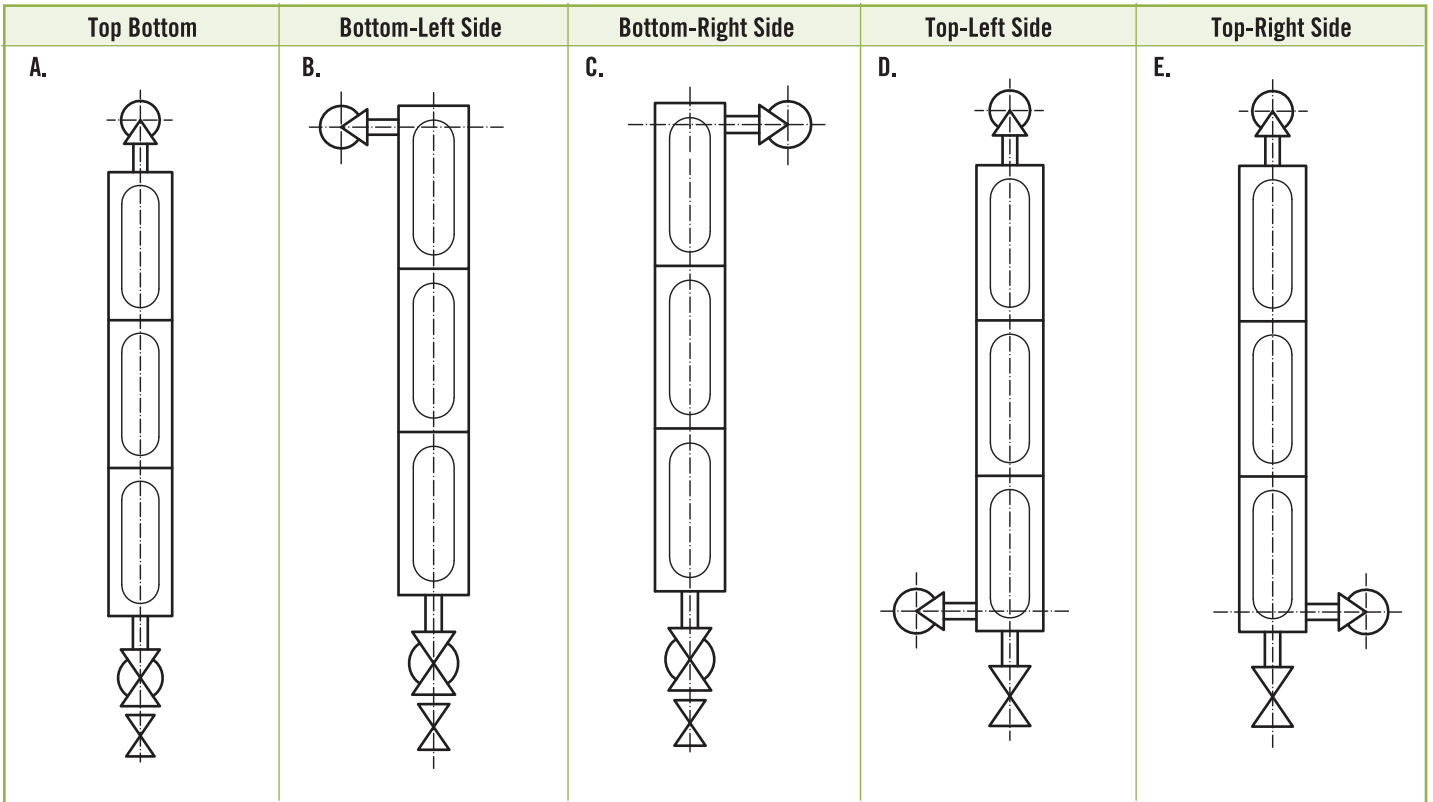


**Dimensions-mm**

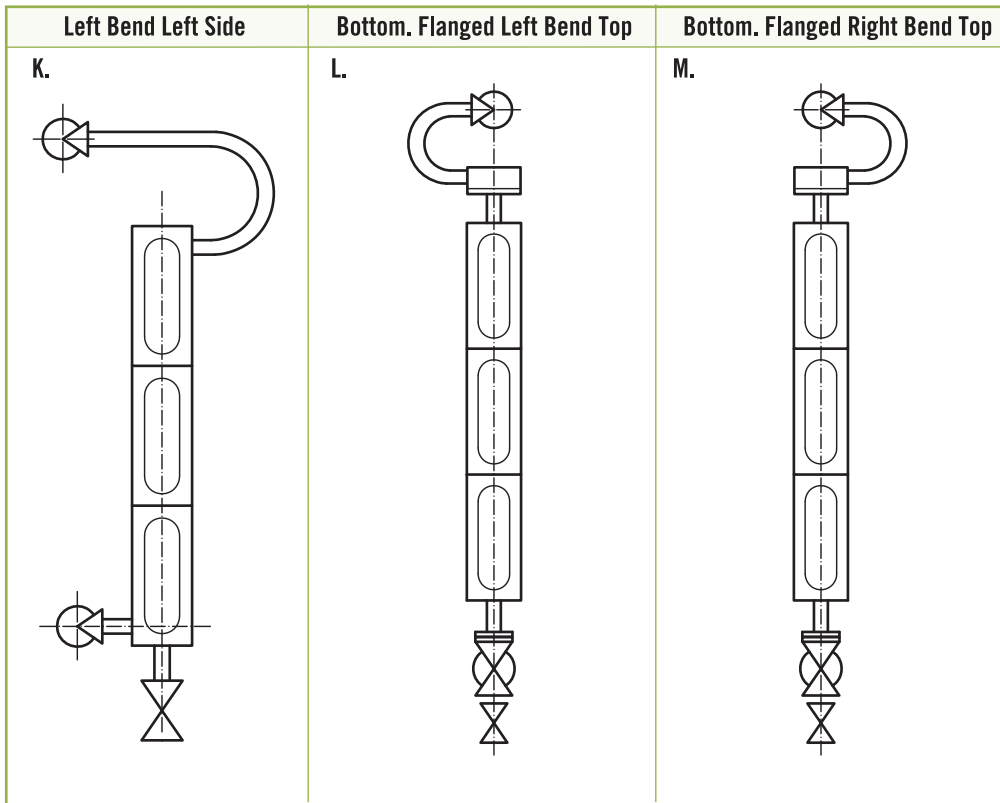
Size	L	B	S
1	190	34	17
2	220	34	17
3	250	34	17
4	280	34	17
5	300	34	17
6	320	34	17
7	340	34	17
8	400	34	17

S=0.15~0.20

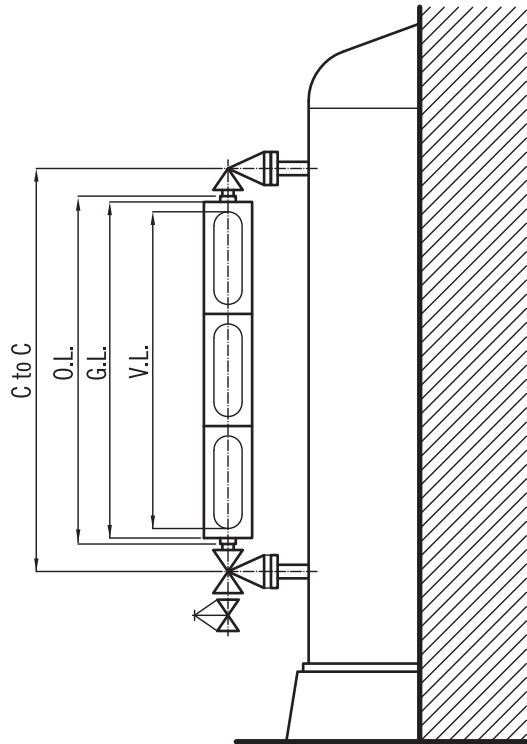
*Installed Methods- Process Connection*



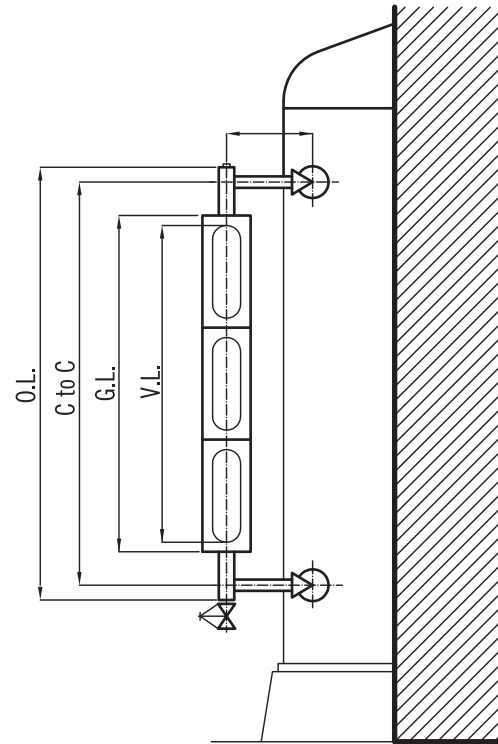
**Installed Methods- Process Connection**



**Sample Hook-Up Drawing**



**Top-Bottom Hook-Up**



**Right to Right Side Hook-Up**

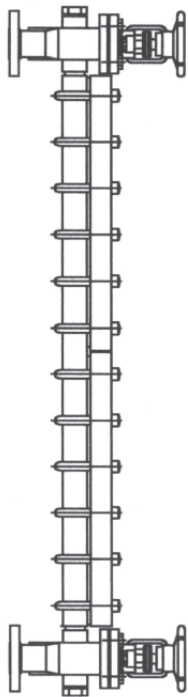
• **R Series – Reflex Type Liquid Level Gauge**

The Reflex type level gauge is constructed by a solid one-piece chamber made from bar stock with ductile steel covers, hard glass, steel bolts and nuts. The material are available with carbon steel, SS304, SS316 and SS316L. The special material are available by requested. The level gauge provide from one up to five section. As the reflex level gauge is used, liquid section appears black color and steam or gas section appears with white color. The R Series level gauge is designed to suit for the equipment in the chemical plant. Power plant and other industries to measure the liquid level. NEW-FLOW provides - R (standard type), RJ (jacket type) and RN (Non-frosting type) for customer to application by requested.

**Technical Data**

- Center to Center length:** By customer requested
- Connection Vessel:** ½" or ¼" female or male
- Process Rating:** Thread or Flange end available
- Covers:** Ductile, SS304 and SS316 are available by requested
- Sight Glass:** Borosilicate glass
- Gasket:** High quality material are made by requested
- U-Bolt and Nuts:** Alloy ateel, SS304 and SS316 are available

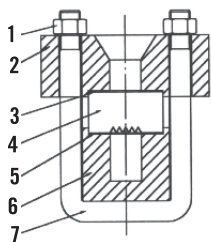
WWW.NEW-FLOW.COM • TEL: 886-7-8135500 • FAX: 886-7-8225588 • Email: info@new-flow.com



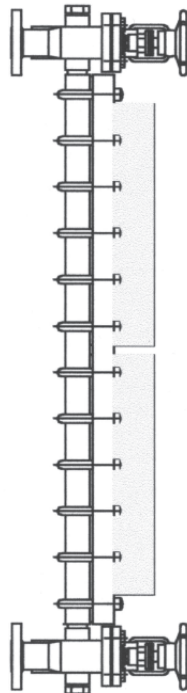
**Model: R  
Standard Type**

- **Temperature Range:** 2°C ~ 280°C
- **Pressure Range:** up to 40 kg/cm<sup>2</sup> (standard);  
optoin up to 70 kg/cm<sup>2</sup> available.
- **With Gauge Valve:** Union nut or Nipple between  
gauge valve and vessel body.
- **Process Connection:** Thread or Flange  
according to JIS, ANSI and DN specification.

**Parts List**



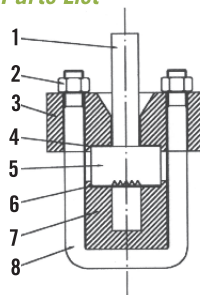
- 1. Nut for U-bolt
- 2. Cover
- 3. Packing
- 4. Gauge Glass
- 5. Packing
- 6. Body
- 7. U-bolt



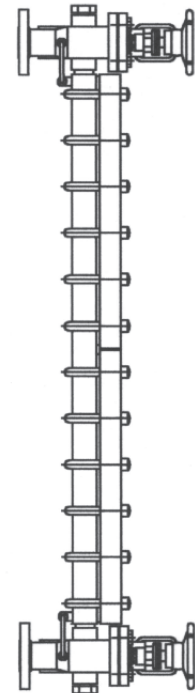
**Model: RN  
Non-Frosting Type**

- Using in low temperature application to  
prevent the frost build up does not  
obscure reading of the liquid level.
- **Temperature Range:** -10°C ~ -100°C
- **Pressure Range:** up to 20 kg/cm<sup>2</sup>

**Parts List**



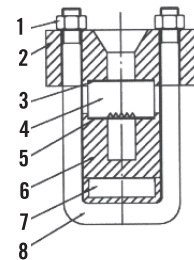
- 1. Plastic  
Extension Plate
- 2. Nut for U-bolt
- 3. Gauge Cover
- 4. Gasket
- 5. Gauge Glass
- 6. Gasket
- 7. Gauge Body
- 8. U-bolt



**Model: RJ  
Jacket Type**

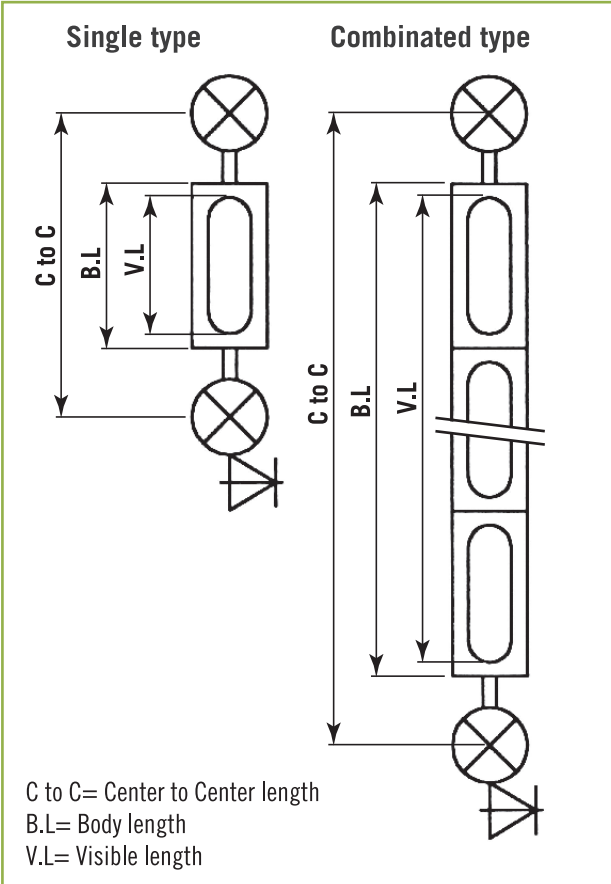
- Jacket type— Heating or Cooling  
This type is built with a jacket pass  
through steam or cooling water into the  
jacket. It can keep temperature in the  
vessel to avoid liquid crystallization or  
vaporization. So the liquid can be  
indicated dearly.
- **Temperature Range:** 2°C ~ 280°C
- **Pressure Range:** up to 40 kg/cm<sup>2</sup> (standard);  
optoin up to 70 kg/cm<sup>2</sup> available.

**Parts List**



- 1. Nut for U-bolt
- 2. Cover
- 3. Packing
- 4. Gauge Glass
- 5. Packing
- 6. Body
- 7. Jacket
- 8. U-bolt

**R Series – Reflex Type Liquid Level Gauge  
Installation Mode**



**Ordering Information**

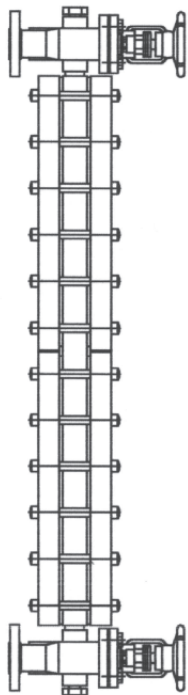
LG	<b>Code</b>	<b>Model</b>
	R	Standard type
	RN	Non-Frosting type
	RJ	Jacket type
	<b>Code</b>	<b>Connection Size</b>
		(1) ½" (2) ¾" (3) 1" (4) 1½" (5) 2"
	<b>Code</b>	<b>Connection Rating</b>
		(A) NPT-M (B) ANSI 150# (C) ANSI 300# (D) PN16 (E) PN40 (F) option
	<b>Code</b>	<b>Body Material</b>
		(1) SS304 (2) SS316 (3) Carbon steel (4) option
	<b>Code</b>	<b>Gauge Valve Material</b>
		(1) SS304 (2) SS316 (3) Carbon steel (4) option
	<b>Code</b>	<b>Valve Type</b>
		(A) Standard type (B) Offset type (C) Jacket type (D) option (E) without
	<b>Code</b>	<b>Gasket Material</b>
	(1) Asbestos (2) Non-Asbestos (3) Teflon (4) option	
<b>Code</b>	<b>The Function of Gauge Valve</b>	
	(A) With ball check (B) Without ball check	
<b>Code</b>	<b>Center to Center length (C to C)</b>	
	Please directly fill out the length you required	
<b>Code</b>	<b>Process Connection Methods</b>	
	Please refer to the table of Installed Methods and fill out the code (A.~M.) of your request.	
<b>LG</b>		<b>Complete Ordering Code</b>

## • T Series – Transparent Type Liquid Level Gauge

The Transparent type level gauge is constructed by a solid one-piece chamber made from bar stock with ductile steel covers, hard glass, steel bolts and nuts. The material are available with carbon steel, SS304, SS316 and SS316L. The special material are available by requested. The level gauge provide from one up to five section. As the transparent level gauge is used, liquid section appears black color and steam or gas section appears with white color. The T Series level gauge is designed to suit for the equipment in the chemical plant. Power plant and other industries to measure the liquid level. NEW-FLOW provides - T (standard type), TJ (jacket type) and TN (Non-frosting type) for customer to application by requested.

### Technical Data

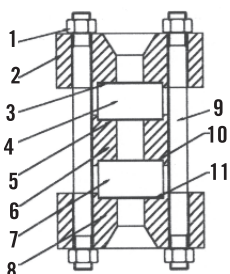
- Center to Center length:** By customer requested  
**Connection Vessel:** ½" or ¼" female or male  
**Process Rating:** Thread or Flange end available  
**Covers:** Ductile, SS304 and SS316 are available by requested  
**Sight Glass:** Borosilicate glass  
**Gasket:** High quality material are made by requested  
**U-Bolt and Nuts:** Alloy steel, SS304 and SS316 are available



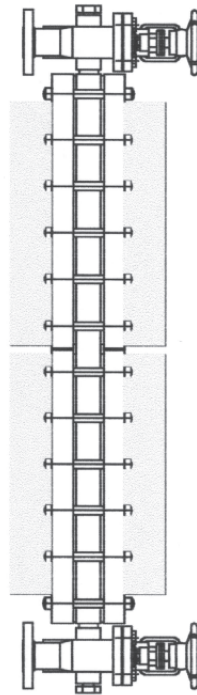
**Model: T**  
Standard Type

- **Temperature Range:** 2°C ~ 280°C
- **Pressure Range:** up to 40 kg/cm<sup>2</sup> (standard);  
optoin up to 70 kg/cm<sup>2</sup> available.
- **Without Gauge Valve:** ½" or ¾"NPT
- **With Gauge Valve:** Union nut or Nipple between  
gauge valve and vessel body.
- **Process Connection:** Thread or Flange  
according to JIS, ANSI and DN specification.
- **Transparent type is not suitable for  
colorless liquid.**

#### Parts List



1. Nut for U-bolt
2. Cover
3. Packing
4. Gauge Glass
5. Packing
6. Body
7. Gauge Glass
8. Cover
9. Bolt
10. Packing
11. Packing

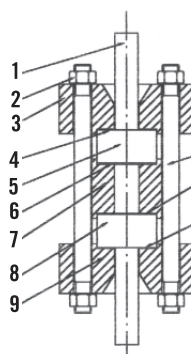


**Model: TN**  
Non-Frosting Type

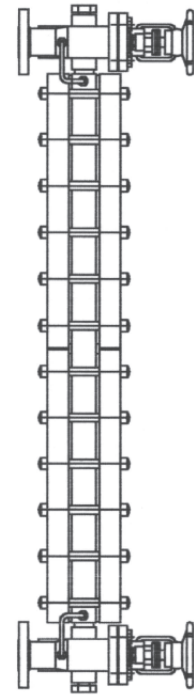
Using in low temperature application to prevent the frost build up does not obscure reading of the liquid level.

- **Temperature Range:** -10°C ~ -100°C
- **Pressure Range:** up to 20 kg/cm<sup>2</sup>

#### Parts List



1. Plastic  
Extension Plate
2. Nut for U-bolt
3. Gauge Cover
4. Gasket
5. Gauge Glass
6. Packing
7. Body
8. Gauge Glass
9. Cover
10. U-bolt
11. Packing
12. Packing

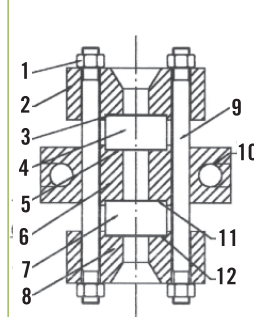


**Model: TJ**  
Jacket Type

Jacket type— Heating or Cooling  
 This type is built with a jacket pass through steam or cooling water into the jacket. It can keep temperature in the vessel to avoid liquid crystallization or vaporization. So the liquid can be indicated clearly.

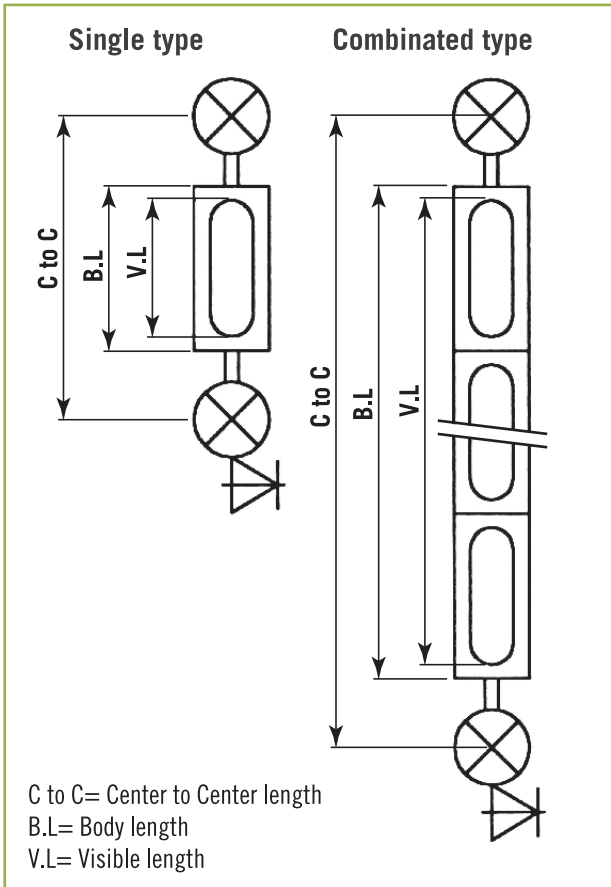
- **Temperature Range:** -10°C ~ 280°C
- **Pressure Range:** up to 40 kg/cm<sup>2</sup> (standard);  
optoin up to 70 kg/cm<sup>2</sup> available.

#### Parts List



1. Nut for U-bolt
2. Cover
3. Packing
4. Gauge Glass
5. Packing
6. Body
7. Gauge Glass
8. Cover
9. Bolt
10. Jacket Pipe
11. Packing
12. Packing

• **T Series – Transparent Type Liquid Level Gauge**  
**Installation Mode**



**Ordering Information**

LG	Code	Model
	T	Standard type
	TN	Non-Frosting type
	TJ	Jacket type
	<b>Code</b>	<b>Connection Size</b>
		(1) ½" (2) ¾" (3) 1" (4) 1½" (5) 2"
	<b>Code</b>	<b>Connection Rating</b>
		(A) NPT-M (B) ANSI 150# (C) ANSI 300# (D) PN16 (E) PN40 (F) option
	<b>Code</b>	<b>Body Material</b>
		(1) SS304 (2) SS316 (3) Carbon steel (4) option
	<b>Code</b>	<b>Gauge Valve Material</b>
		(1) SS304 (2) SS316 (3) Carbon steel (4) option
	<b>Code</b>	<b>Valve Type</b>
		(A) Standard type (B) Offset type (C) Jacket type (D) option (E) without
	<b>Code</b>	<b>Gasket Material</b>
		(1) Asbestos (2) Non-Asbestos (3) Teflon (4) option
	<b>Code</b>	<b>The Function of Gauge Valve</b>
		(A) With ball check (B) Without ball check
	<b>Code</b>	<b>Center to Center length (C to C)</b>
		Please directly fill out the length you required
	<b>Code</b>	<b>Process Connection Methods</b>
		Please refer to the table of Installed Methods and fill out the code (A.~M.) of your request.
<b>LG</b>		<b>Complete Ordering Code</b>



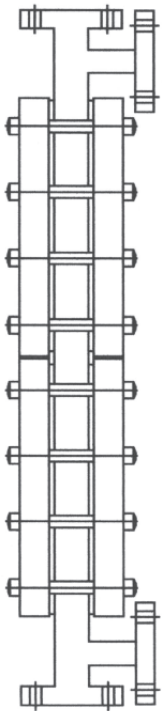
• **B Series – Large Chamber Type Liquid Level Gauge**

The Large Chamber level gauge is constructed by a big chamber made with ductile steel covers, hard glass, steel bolts and nuts. The large chamber type level gauge is specifically designed to provide an easy observation for the level of viscose liquid and provide an easy flushing to vessel of the level gauge when it's on requested.

The B series can provide end connection up to 2" thread or flange, according to the specification of JIS, ANSI, DIN all materials in the B series are available with carbon steel, SS304, SS316 and SS316L. The special materials are available by requested.

**Technical Data**

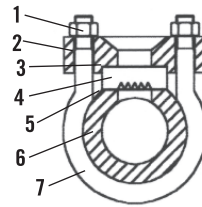
- Center to Center length:** By customer requested
- Connection Vessel:** Up to 2" pipe size
- Process Rating:** Thread or Flange end available
- Covers:** Ductile, SS304 and SS316 are available by requested
- Sight Glass:** Borosilicate glass
- Gasket:** High quality material are made by requested
- U-Bolt and Nuts:** Alloy ateel, SS304 and SS316 are available



**Model: BR, Standard Type**

- **Temperature Range:** 2°C ~ 300°C
- **Pressure Range:** up to 40 kg/cm<sup>2</sup> (standard); optoin up to 70 kg/cm<sup>2</sup> available.
- **Process Connection:** ½" up to 2"

**Parts List**



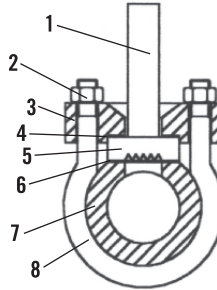
- |                   |           |
|-------------------|-----------|
| 1. Nut for U-bolt | 6. Body   |
| 2. Gauge Cover    | 7. U-bolt |
| 3. Packing        |           |
| 4. Gauge Glass    |           |
| 5. Packing        |           |

**Model: BRN, Non-Frosting Type**

Using in low temperature application to prevent the frost build up does not obscure reading of the liquid level.

- **Temperature Range:** -10°C ~ -100°C
- **Pressure Range:** up to 20 kg/cm<sup>2</sup>;
- **Process Connection:** ½" up to 2"

**Parts List**

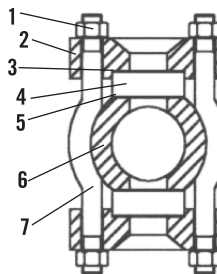


- |                            |               |
|----------------------------|---------------|
| 1. Plastic Extension Plate | 6. Gasket     |
| 2. Nut for U-bolt          | 7. Gauge Body |
| 3. Gauge Cover             | 8. U-bolt     |
| 4. Gasket                  |               |
| 5. Gauge Glass             |               |

**Model: BT, Standard Type**

- **Temperature Range:** 2°C ~ 300°C
- **Pressure Range:** up to 40 kg/cm<sup>2</sup> (standard); optoin up to 70 kg/cm<sup>2</sup> available.
- **Process Connection:** ½" up to 2"

**Parts List**

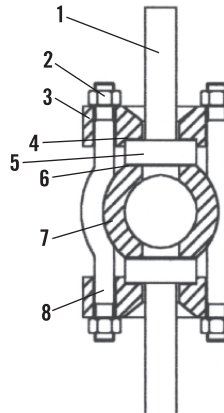


- |                   |               |
|-------------------|---------------|
| 1. Nut for U-bolt | 6. Gauge Body |
| 2. Gauge Cover    | 7. Bolt       |
| 3. Gasket         |               |
| 4. Gauge Glass    |               |
| 5. Gasket         |               |

**Model: BTN, Non-Frosting Type**

- **Temperature Range:** -10°C ~ 100°C
- **Pressure Range:** up to 20 kg/cm<sup>2</sup>;
- **Process Connection:** ½" up to 2"

**Parts List**



- |                            |               |
|----------------------------|---------------|
| 1. Plastic Extension Plate | 6. Gasket     |
| 2. Nut for U-bolt          | 7. Gauge Body |
| 3. Gauge Cover             | 8. Bolt       |
| 4. Gasket                  |               |
| 5. Gauge Glass             |               |

