

TUNING FORK VIBRATING LEVEL SWITCH

VLS5500

Housing: IP65
Explosion Proof:
Class I, Groups A, B, C, D;
Class II, Groups E, F, G; NEMA4X

VLS5500 Series are assembled with a tuning fork and energized sensor. It vibrates frequently with mechanical resonance to detect level of powders or granular bulk solids.

Technical Data

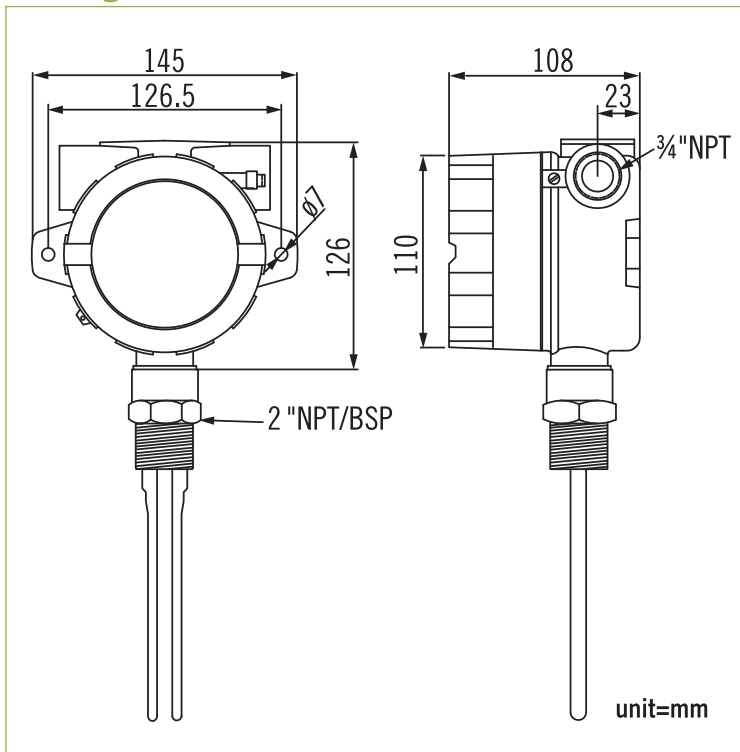
Using in powder or solids
Wetted part material: 316 stainless steel
Thread connection: 2" NPT, 2" BSP
Flange connection: from 2" to 3", JIS, ANSI, DIN available
Detection length:

	Minimum	Maximum
Thread	200mm	450mm
Flange	245mm	450mm

Working temperature: -30°C~+80°C
Working pressure: maximum 100 kg/cm², up to 400 kg/cm² on request
Liquid viscosity: 0.2~10000 mpas
Liquid density: 0.6 g/cm³~2.5 g/cm³
Housing: IP65
Explosion Proof: Class I, Groups A, B, C, D; Class II, Groups E, F, G; NEMA4X
Power Supply: 110VAC, 220VAC, 24VDC
Contact Form: SPDT
Contact Rating: 20A/125VAC, 12A/250VAC



Housing Dimensions



Application and Installation

